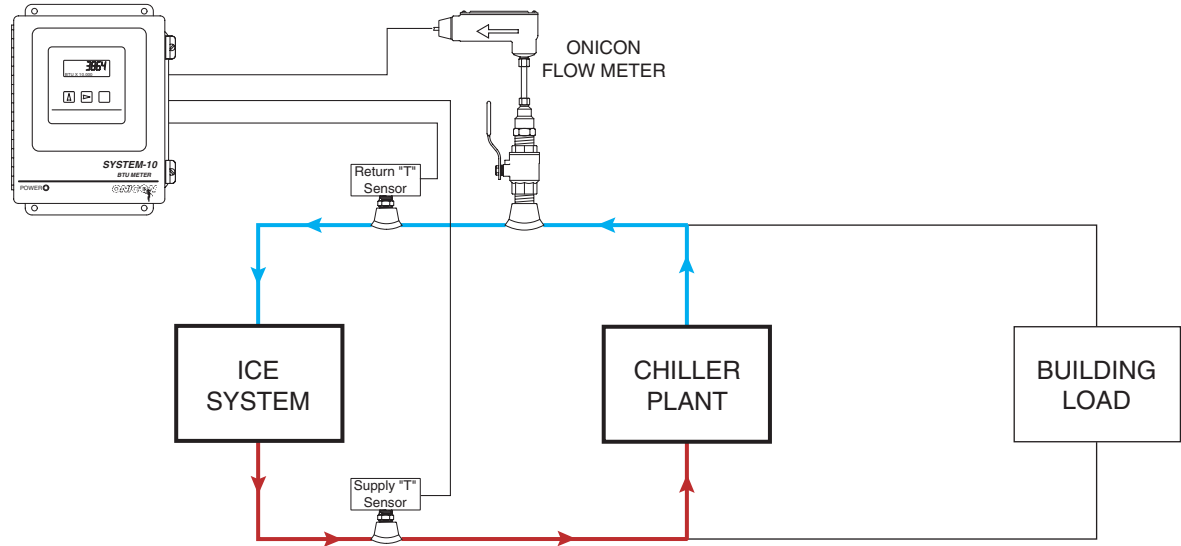


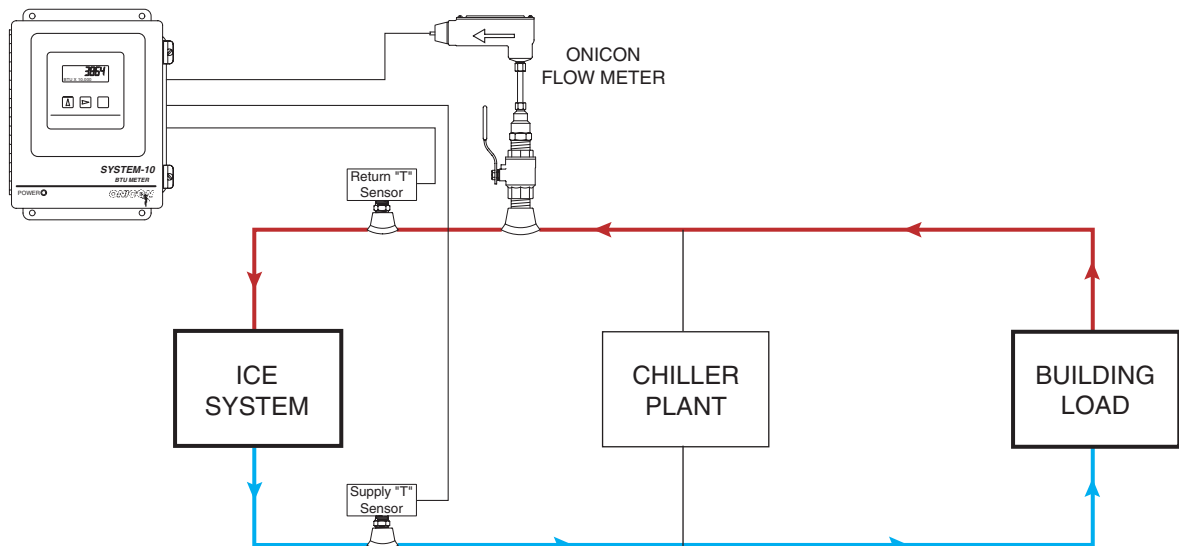
# SYSTEM-10 INSTALLATION LAYOUT FOR ICE STORAGE SYSTEM



## System In "Charge" Mode (Making Ice)



## System In "Discharge" Mode (Ice Used To Cool Loads)



1. Install temperature sensors as shown for proper mode indication.
2. Flow meter can be installed in supply or return; choose location based on maximum straight pipe run.