

# Installation Hardware Instructions Standard Installation Kit For Copper Tube (Complies with NSF61)



For F-1100, F-1200 & FB-1200 Series Insertion Turbine Flow Meters

**For Use With Kits: INSTL84 & INSTL85**

This kit must be installed prior to filling the system, or into a section of pipe that is isolated from pressure and flow. Once installed, this kit allows for insertion and removal of the flow meter without a system shutdown.

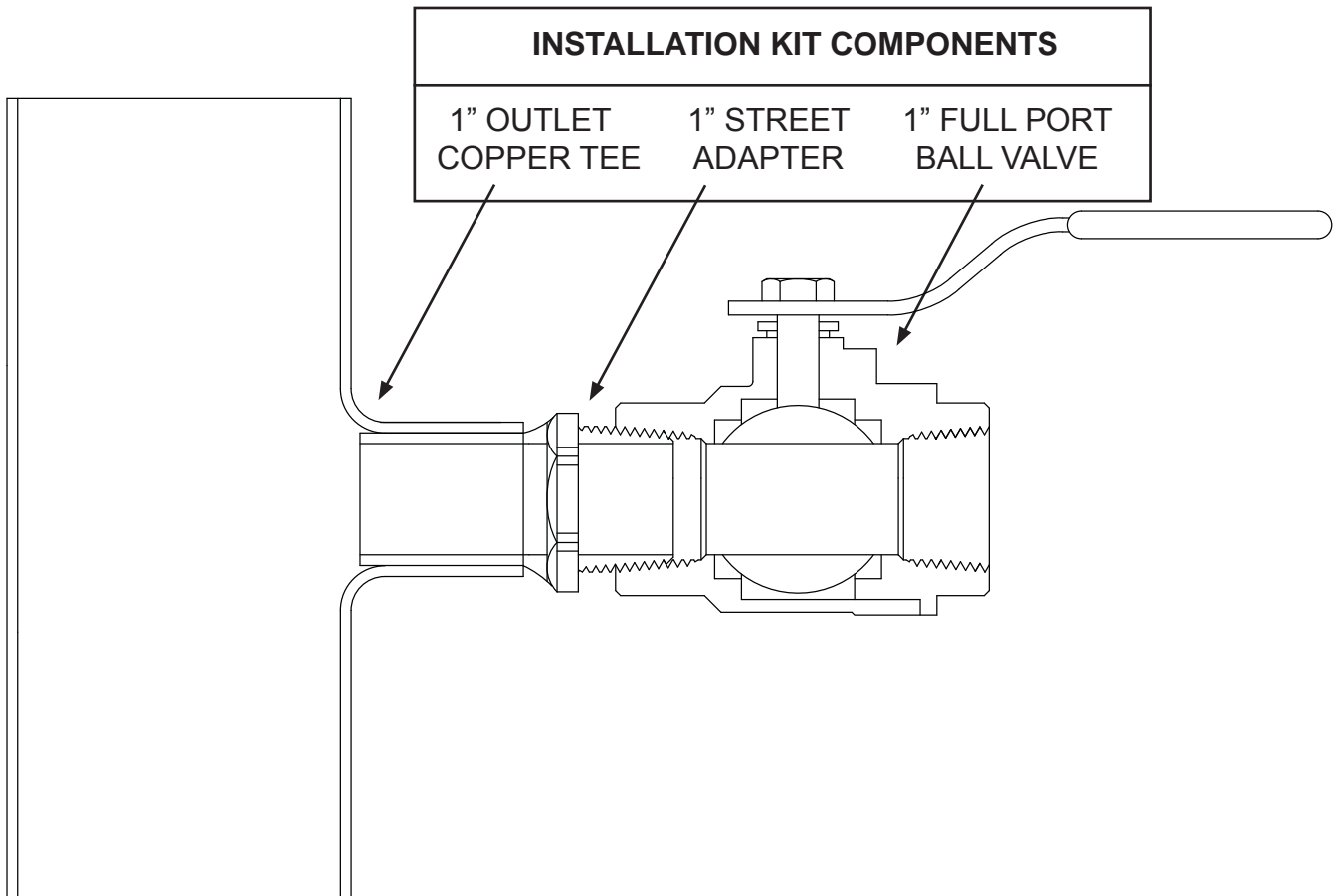
### Directions:

1. Identify an appropriate location for the flow meter (see pages 2-4).
2. Solder or braze the copper tee and adapter provided.
3. Install the ball valve as shown below. Use a paste type thread sealant. DO NOT use Teflon® tape.
4. Flush and fill the system prior to installing the meter.

**Important Note**

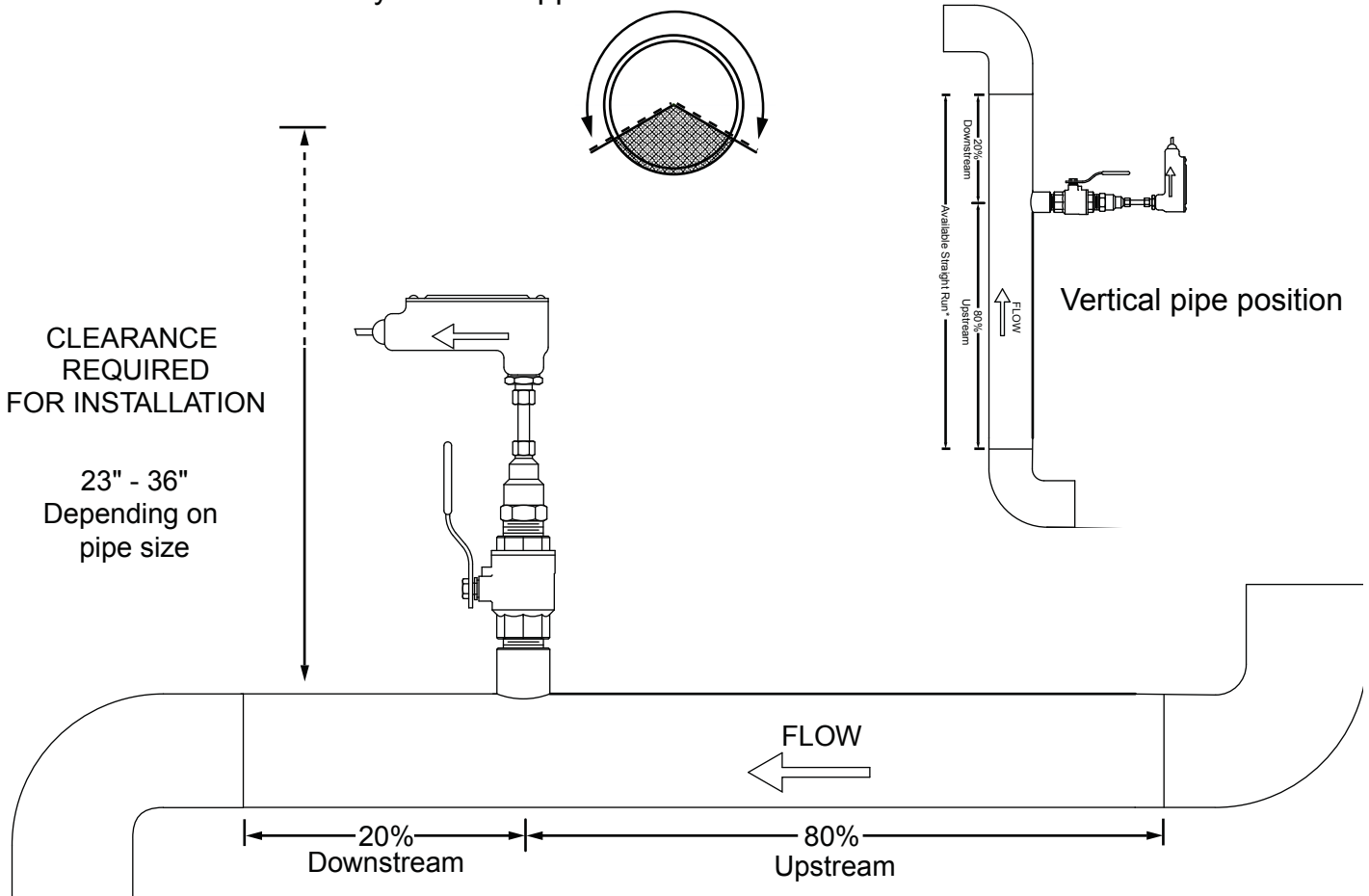
ONICON insertion flow meters are precision measuring devices that must be installed according to the instructions contained in this document in order to maintain their accuracy and reliability. Failure to follow these instructions will result in erratic operation and reduced accuracy.

NOTE: Before installing the flow meter, read the entire installation manual.



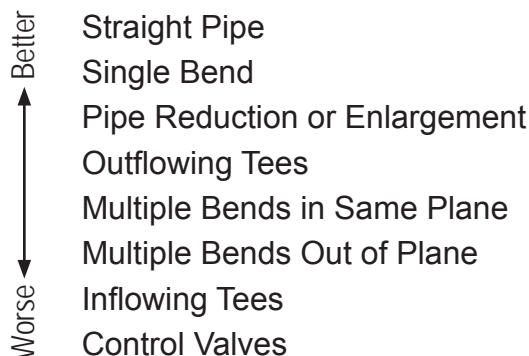
# FLOW METER SITE SELECTION GENERAL GUIDELINES

- Install in vertical or horizontal pipe.
- For horizontal pipe position meter anywhere in upper 240°.



\*See following pages for model specific straight run requirements.

## EVALUATING UPSTREAM PIPING CONDITIONS



### How to determine the available straight pipe diameters:

For each application, locate the longest straight, unobstructed section of pipe (no bends, tees, valves, other insertion probes, size transitions). The longest straight pipe run in inches divided by nominal pipe size in inches equals "diameters of straight pipe." For closed loop applications, consider both the supply and return lines as possible locations.

## DETERMINING WHICH FLOW METER STRAIGHT RUN REQUIREMENTS TO USE

The label on the flow meter installation hardware kit package identifies the flow meter model number and the pipe diameter range for the kit. Confirm that the kit is appropriate for the actual pipe diameter and use the straight run requirements for the flow meter model number identified on the label.

- F-1100 series flow meters must be installed in 1" or larger diameter pipes\*.
- F-1200 series flow meters must be installed in 2½" or larger diameter pipes.

\*1" for copper tubing, 1¼" for all other pipe materials

Refer to the information provided below if the kit is provided without identifying a specific flow meter model number.

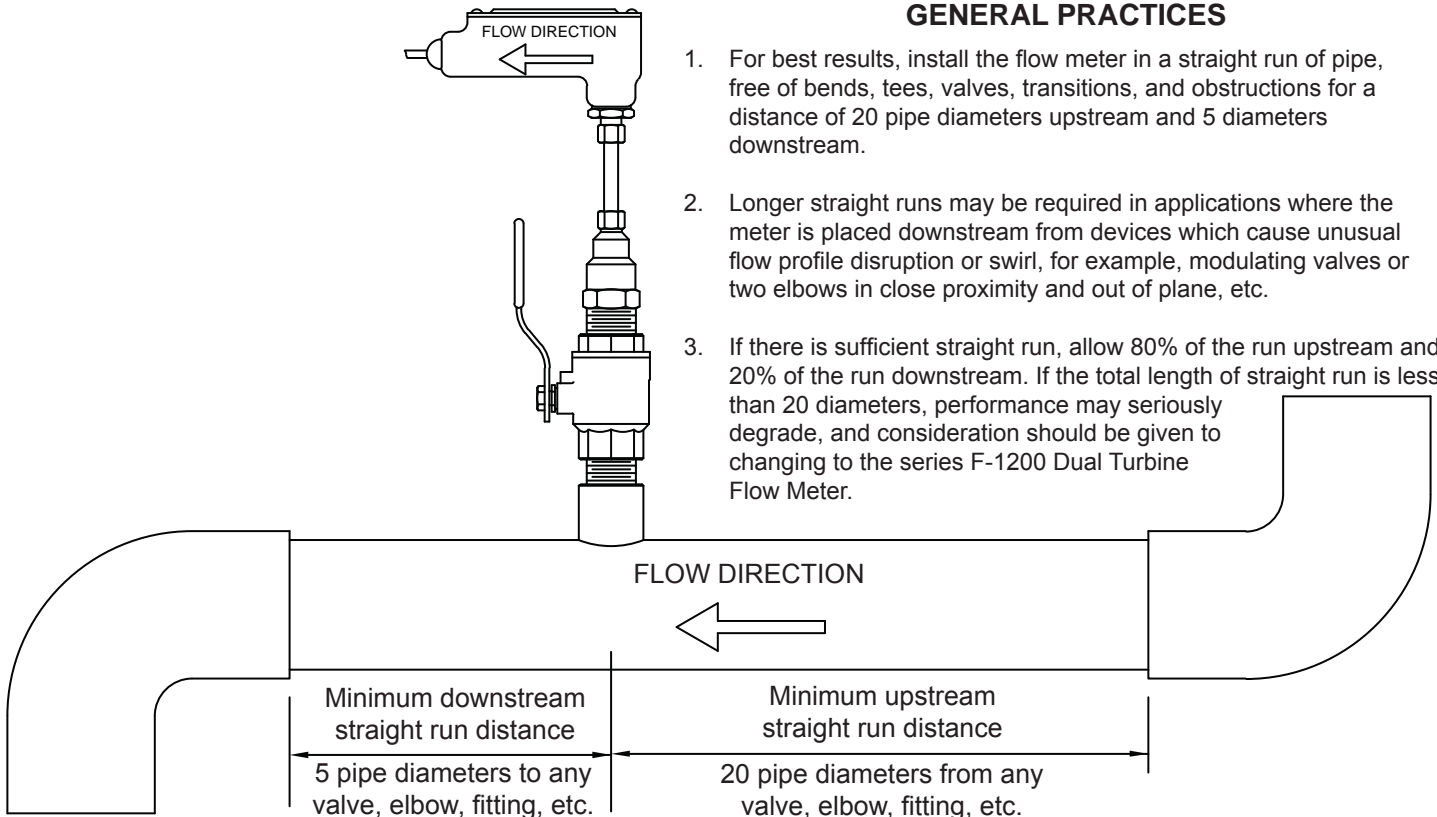
- Refer to the label on the installation hardware for the pipe diameter range appropriate for the kit. Confirm that the actual pipe diameter is within the range of the kit provided.
- Assume model F-1100 series flow meters for pipe diameters between 1" and 2½".
- For kits provided for pipe diameters  $\geq 2\frac{1}{2}$ " that do not specify a flow meter model number, assume F-1100 series straight run requirements.
- Contact ONICON if there is insufficient straight run to install the meter.

## STRAIGHT RUN REQUIREMENTS FOR INSERTION TURBINE FLOW METERS

### Series F-1100 Single Turbine Flow Meters

#### GENERAL PRACTICES

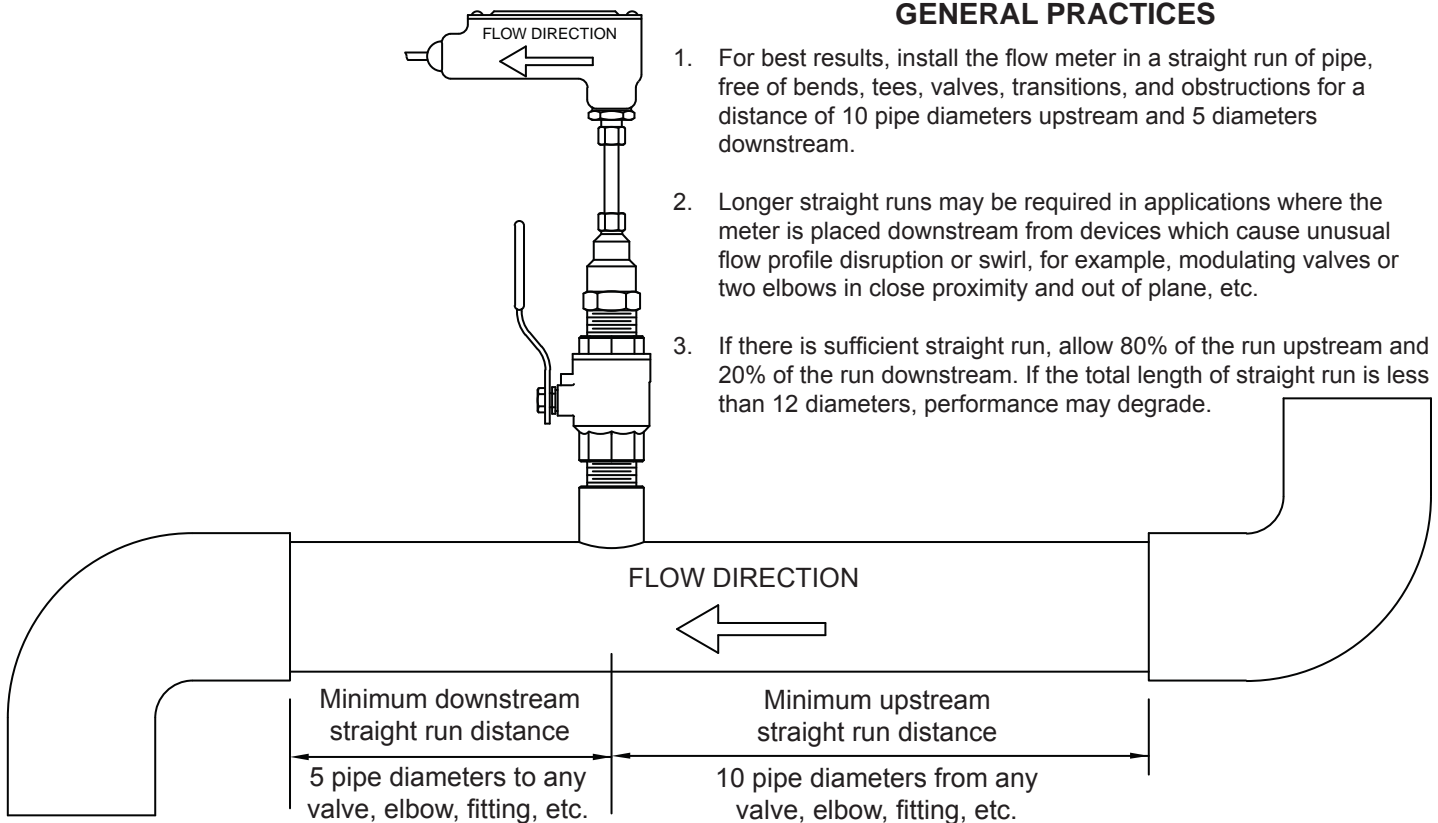
1. For best results, install the flow meter in a straight run of pipe, free of bends, tees, valves, transitions, and obstructions for a distance of 20 pipe diameters upstream and 5 diameters downstream.
2. Longer straight runs may be required in applications where the meter is placed downstream from devices which cause unusual flow profile disruption or swirl, for example, modulating valves or two elbows in close proximity and out of plane, etc.
3. If there is sufficient straight run, allow 80% of the run upstream and 20% of the run downstream. If the total length of straight run is less than 20 diameters, performance may seriously degrade, and consideration should be given to changing to the series F-1200 Dual Turbine Flow Meter.



## Series F-1200 Dual Turbine Flow Meters

### GENERAL PRACTICES

1. For best results, install the flow meter in a straight run of pipe, free of bends, tees, valves, transitions, and obstructions for a distance of 10 pipe diameters upstream and 5 diameters downstream.
2. Longer straight runs may be required in applications where the meter is placed downstream from devices which cause unusual flow profile disruption or swirl, for example, modulating valves or two elbows in close proximity and out of plane, etc.
3. If there is sufficient straight run, allow 80% of the run upstream and 20% of the run downstream. If the total length of straight run is less than 12 diameters, performance may degrade.



## Series FB-1200 Dual Turbine Flow Meters Bi-Directional Flow Applications

### GENERAL PRACTICES

1. For best results, install the flow meter in a straight run of pipe, free of bends, tees, valves, transitions, and obstructions for a distance of 10 pipe diameters on each side of the flow meter.
2. Longer straight runs may be required in applications where the meter is placed downstream from devices which cause unusual flow profile disruption or swirl, for example, modulating valves or two elbows in close proximity and out of plane, etc.
3. If there is sufficient straight run, allow 50% of the run upstream and 50% of the run downstream. If the total length of straight run is less than 20 diameters, performance may degrade.

