

• **DISPLAY MODULE** •
SERIES D-2100



Made in the USA

DESCRIPTION

The D-2100 series displays provide a remote indication of flow rate and/or total for ONICON F-2000 series vortex meters. Displays are available in a variety of configurations that may include single indicators for rate only, total only or separate indicators for simultaneously indicating rates and totals. The display also provides power for the vortex meter and a convenient connection point that allows the flow signals to be connected to other remote devices such as a building management system.

GENERAL SPECIFICATIONS

MECHANICAL

6"x6"x4" NEMA 4 steel enclosure, wall mount

ELECTRICAL

Input voltage:

Standard: 120 VAC, 60 Hz

Optional: 240 VAC, 50 Hz
24 VAC, 60 Hz

Output voltage: 24 VDC, 20 mA maximum
(provided as loop power for the vortex meter)

INDICATORS

3½ digit rate indicator (loop powered in series with flow meter 4-20 mA output)

Resettable eight digit totalization indicator

Totalization reset function can be disabled via programming.

FLOW SIGNAL INPUT/OUTPUT

Input: Flow rate input: 4-20 mA
Flow total input: Open collector, 0.5 Hz maximum pulse

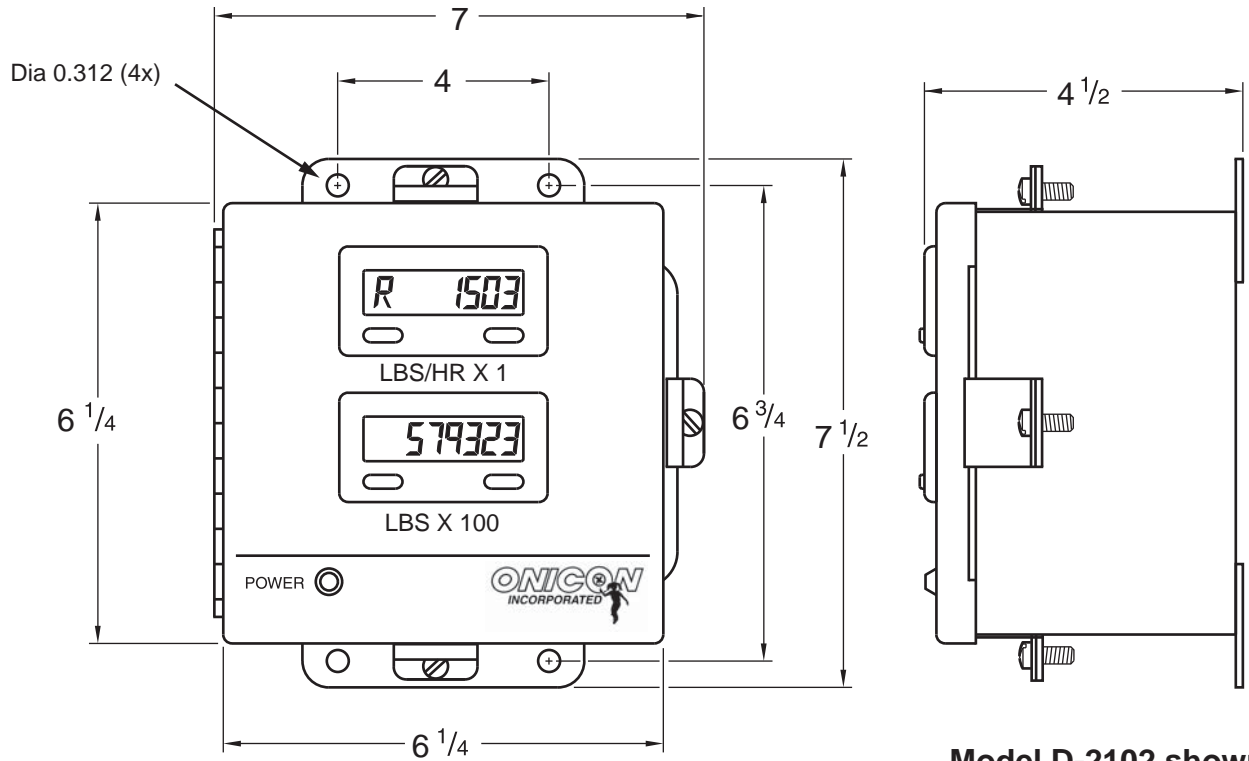
Output: Flow rate: 4-20 mA DC, (maximum loop resistance 275Ω)
Flow total: Isolated dry contact, 0.5 Hz, 50 VDC & 100 mA maximum

APPLICATIONS

- Compensated steam flow
- Hot water flow
- Condenser water flow
- Chilled water flow
- Compressed air flow



D-2100 is a remote display for the F-2000 series vortex meters.



Model D-2102 shown

How to select your series D-2100 display:

1. Choose from three available models:

Model	Features Provided
-------	-------------------

- | | |
|--------|---|
| D-2102 | Flow Rate and Flow Total (two LCD indicators) |
| D-21T1 | Flow Total only (one LCD indicator) |
| D-21R1 | Flow Rate only (one LCD indicator) |

2. Choose from three available input power options:

- A. 24 VAC, 50/60 Hz
- B. 120 VAC, 50/60 Hz
- C. 240 VAC, 50 Hz