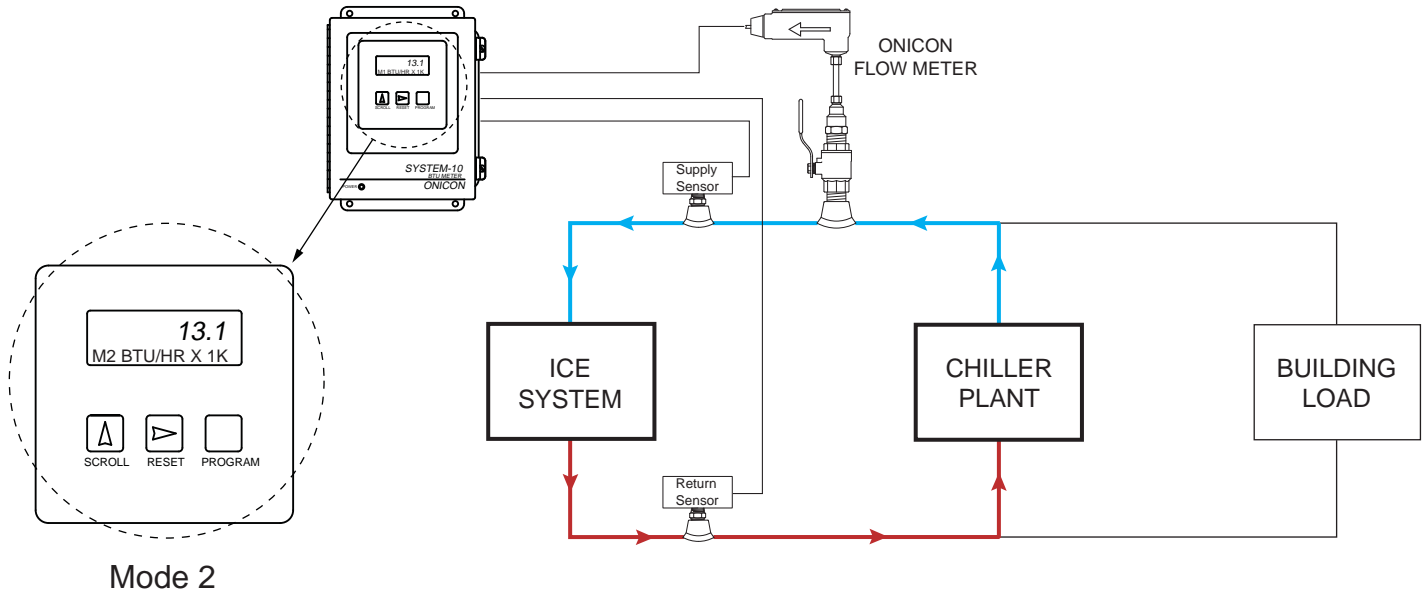
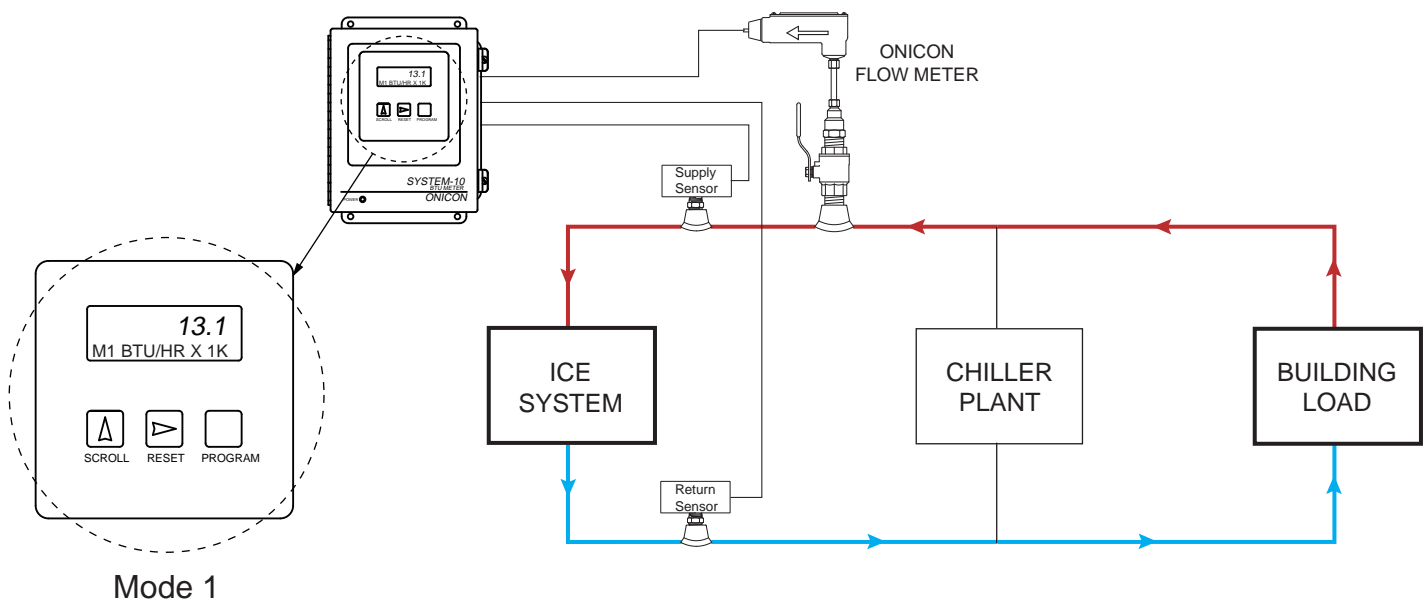


• SYSTEM-10 • INSTALLATION LAYOUT FOR ICE STORAGE SYSTEM

System In "Charge" Mode (Making Ice)



System In "Discharge" Mode (Ice Used To Cool Loads)



1. Install temperature sensors as shown for proper mode indication.
2. Flow meter can be installed in supply or return; choose location based on maximum straight pipe run.