

• **INLINE FLOW METER** •
MODEL F-1330 TURBINE
SCALED OUTPUT



Made in the USA

GENERAL SPECIFICATIONS

ACCURACY

- ± 0.5% of reading at calibrated velocity
- ± 2% of reading from 0.8 to 38 GPM (50:1 range)

SENSING METHOD

- Electronic impedance sensing
(non-magnetic and non-photoelectric)

PROCESS CONNECTIONS

- Threaded or sweat union fittings ¾" or 1"

SUPPLY VOLTAGE

- 24 ± 4 V AC/DC at 30 mA

LIQUID TEMPERATURE RANGE

- Standard: 180° F continuous, 200° F peak
- High Temp: 280° F continuous, 300° F peak

AMBIENT TEMPERATURE RANGE

- 5° to 160° F (-20° to 70° C)

OPERATING PRESSURE

- 400 PSI maximum

PRESSURE DROP

- 3 PSI at maximum flow rate

OUTPUT SIGNALS PROVIDED

- Scaled Contact Output
 - Isolated solid state dry contact
 - Contact rating: 100 mA, 50 V
 - Contact duration:
 - 50 ms or 300 ms, jumper selectable
- Frequency Output
 - 0 – 15 V peak pulse, typically less than 300 Hz

MATERIAL

- Brass housing and stem
- Sapphire bearings and tungsten carbide shaft

ELECTRONICS ENCLOSURE

- Weather-tight aluminum enclosure

ELECTRICAL CONNECTIONS

- 4-wire minimum for scaled switch output
- Standard: 10' of cable with ½" NPT conduit connection
- Optional: Indoor DIN connector with 10' of plenum rated cable

DESCRIPTION

ONICON in-line turbine flow meters are suitable for measuring electrically conductive water-based liquids. The F-1330 model provides a scaled binary (digital) dry contact output signal where each pulse equals a specific unit volume, an ideal choice for totalized flow applications.

CALIBRATION

Every ONICON flow meter is wet calibrated in our flow laboratory against primary volumetric standards that are directly traceable to N.I.S.T. A certificate of calibration accompanies every meter.

FEATURES

Unmatched Price vs. Performance - Custom calibrated, highly accurate instrumentation at very competitive prices.

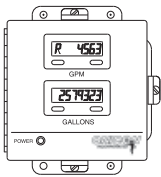
Excellent Long-term Reliability - Patented electronic sensing is resistant to scale and particulate matter. Low mass turbines with engineered jewel bearing systems provide a mechanical system that virtually does not wear.

Industry Leading Two-year "No-fault" Warranty - Reduces start-up costs with extended coverage to include accidental installation damage (miswiring, etc.) Certain exclusions apply. See our complete warranty statement for details.

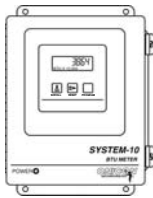
APPLICATIONS

- Closed loop chilled water, hot water, condenser water & water/glycol/brine solutions for HVAC
- Process water & water mixtures
- Domestic water

ALSO AVAILABLE



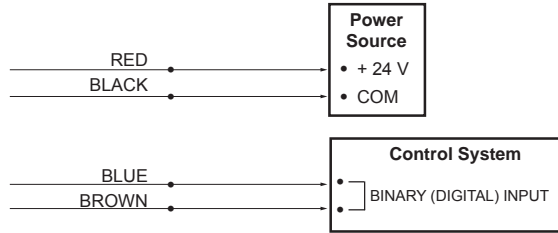
Display Modules



Btu Measurement Systems

F-1330 Wiring Diagram

Flow meter into control system (no display or Btu meter)



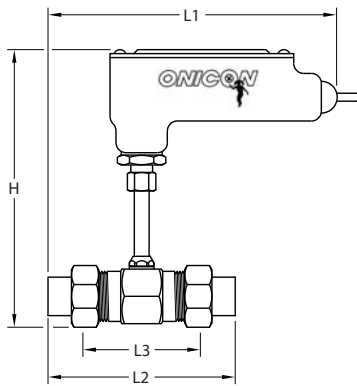
NOTE:

1. Black wire is common with the pipe ground (typically earth ground).
2. Frequency output required for ONICON display module or Btu meter, refer to wiring diagram for peripheral device.

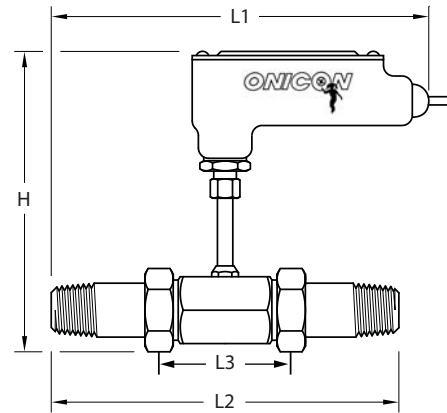
F-1330 Wiring Information

WIRE COLOR	DESCRIPTION	NOTES
RED	(+) 24 V AC/DC supply voltage, 30 mA	Connect to power supply positive.
BLACK	(-) Common ground (Common with pipe ground)	Connect to power supply negative.
GREEN	(+) Frequency output signal: 0-15 V peak pulse	Required when meter is connected to local display or Btu meter.
BLUE	Dry contact switch output	Scaled to provide one pulse per desired unit volume.
BROWN		

Inline Flow Meter Dimensions



Sweat		Threaded
9"	L1	10 1/4"
5 3/8"	L2	8 5/8"
3 1/4"	L3	3 1/4"
8"	H	8"
2"	MAX WIDTH	2"



Typical Meter Installation

(New construction or scheduled shutdown)

- Flush piping system thoroughly before installing meter
- Acceptable to install in vertical pipe
- Position meter anywhere in upper 240° for horizontal pipe
- Connections: 3/4" or 1", male NPT threaded or sweat

